

Foreword

Thank you for purchasing Aputure "Light Storm" LS C120 d II

The Aputure LS C120D II is a complete re-design of the original C120D. We've taken all of your favorite features of the C120D and have jam packed it with upgrades, improvements and new features.

Instructions

- Please read and follow these instructions and keep well this manual for further use.
- Please unlock the protection cover before using.
- Please do not block the ventilation and do not look at the light directly when it's on.
- Please do not place the LED light device close to liquids or other flammable objects.
- Keep the device out of reach of children.
- Only use a microfibre and dry cloth to clean the product.
- To reduce the risk of fire or electric shock, do not use the product near water.
- Please have the product checked by an authorized service or agent if your product has a problem.
- The malfunctions caused by your no allowed disassembling are not under the warranty.
- Use of original Aputure cable accessories is recommended. Please note that this warranty does not apply to repairs arising out of the malfunction of non-original Aputure accessories, although you may request such repairs on a chargeable basis.
- The product is certified by RoHS, CE, KC, PSE and FCC. Please operate the product in full compliance with the operation standards. Please note that this warranty does not apply to repairs arising from malfunction, although you may request such repairs on a chargeable basis.
- The instructions and information in this manual are based on thorough, controlled company testing procedures. Further notice will not be given if the design or specifications change.

FCC Compliance Statement

This device complies with Part 15 of the FCC Rules. Operation is subject to the following two conditions: (1) This device may not cause harmful interference, and (2) This device must accept any interference received, including interference that may cause undesired operation.
Warning: Changes or modifications not expressly approved by the party responsible for compliance could void the user's authority to operate the equipment.
NOTE: This equipment has been tested and found to comply with the limits for a Class B digital device, pursuant to Part 15 of the FCC Rules. These limits are designed to provide reasonable protection against harmful interference in a residential installation. This equipment generates uses and can radiate radio frequency energy and, if not installed and used in accordance with the instructions, may cause harmful interference to radio communications. However, there is no guarantee that interference will not occur in a particular installation. If this equipment does cause harmful interference to radio or television reception, which can be determined by turning the equipment off and on, the user is encouraged to try reorient or relocate the receiving antenna.

Detailed product manual for Light Storm can be found on www.aputure.com.

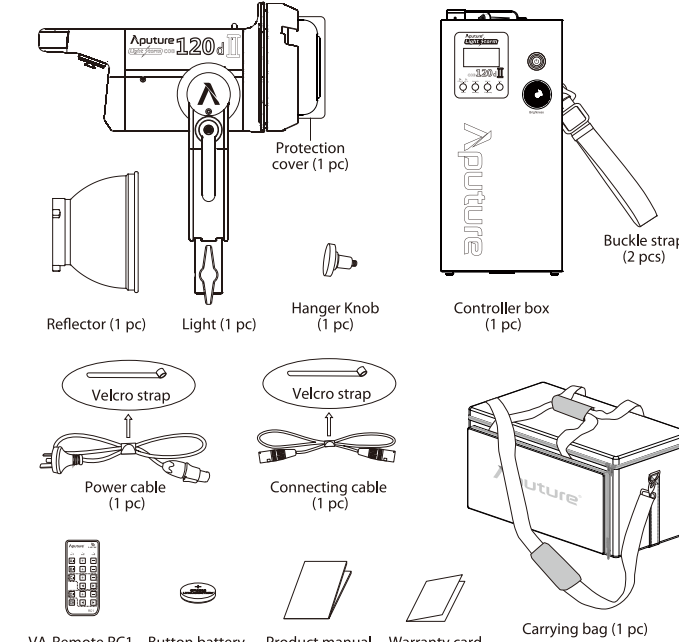
- Increase the separation between the equipment and receiver.
- Connect the equipment into an outlet on a circuit different from that to which the receiver is connected.
- Consult the dealer or an experienced radio/TV technician for help.

RF warning statement:

The device has been evaluated to meet general RF exposure requirement. The device can be used in portable exposure condition without restriction.

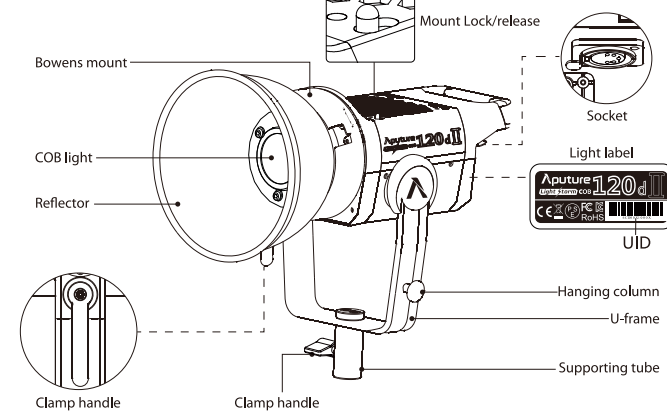
Check list

When you unbox the product, please make sure everything listed below are included. Otherwise, please contact the seller immediately.

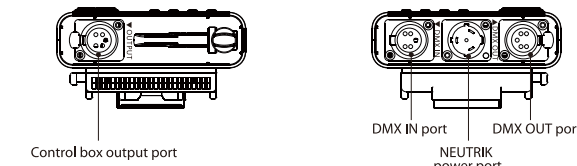
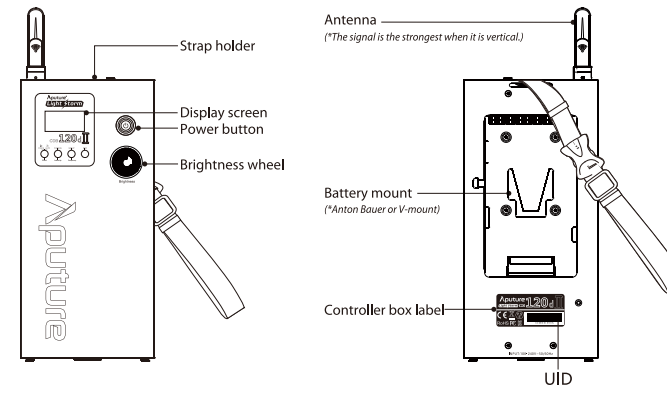


Product Details

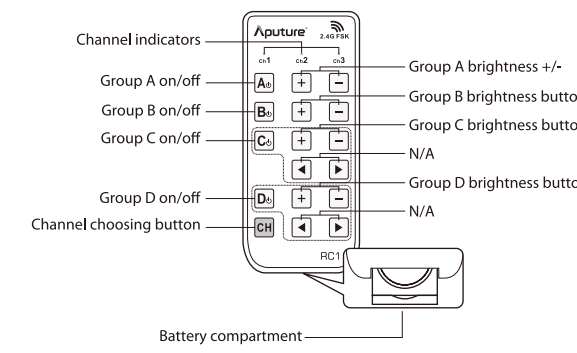
1. Light



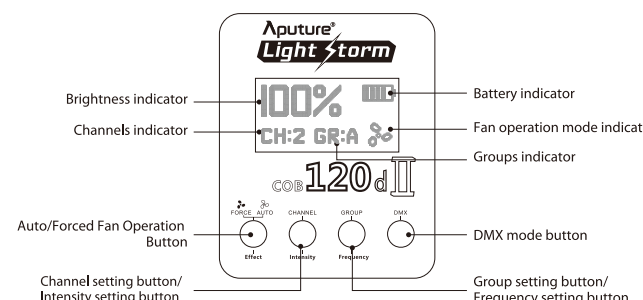
2. Controller box



3. VA-Remote RC1

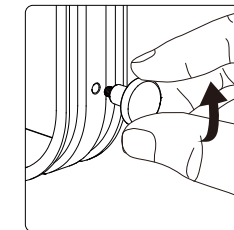


4. Display screen



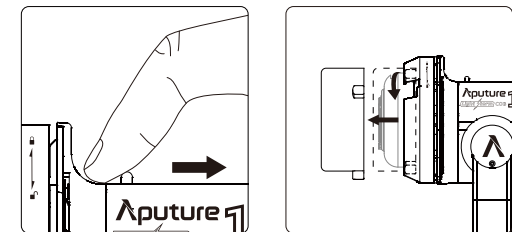
Installations

1. Install the hanging column



2. Detach and Attach the Protection Cover

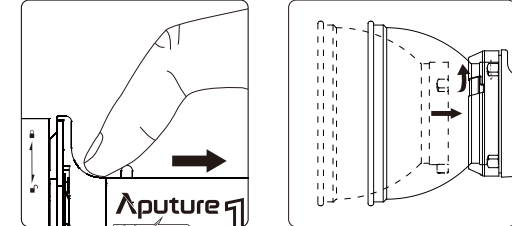
Pull the lock backwards, rotate the cover clockwise, then detach the cover.



Notice: Always remove the protection cover initial to operation. And always install it back after operation.

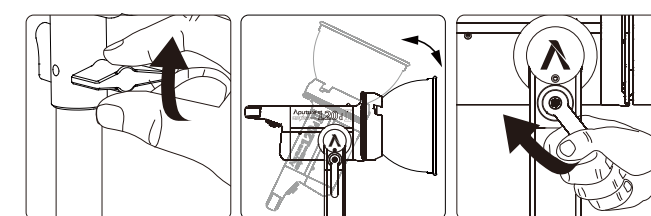
3. Reflector install and unlock

Pull ejector handle back, and install reflector as the picture shows. Unlock reflector rotate in the opposite direction.

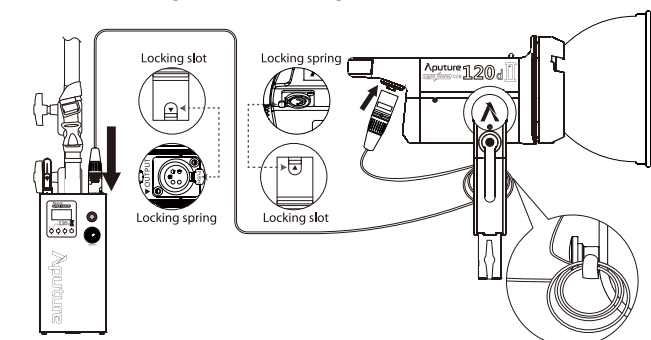


4. Install the light

Set the light at your desired angle, then use the clamp handle to install the light onto stand and fasten.



5. Use connecting cable connect light to controller box

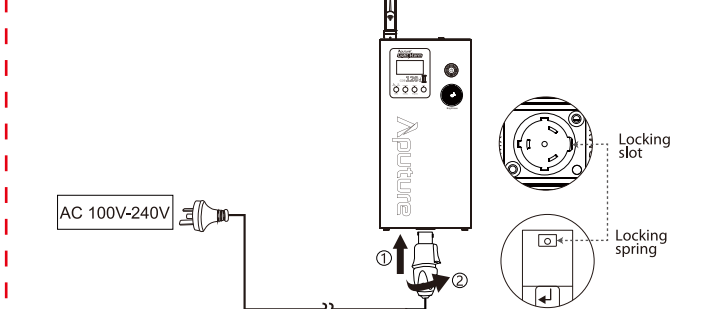


* Hang the controller box on the tripod by buckle.

* Tie the connecting cable around the hanging column.

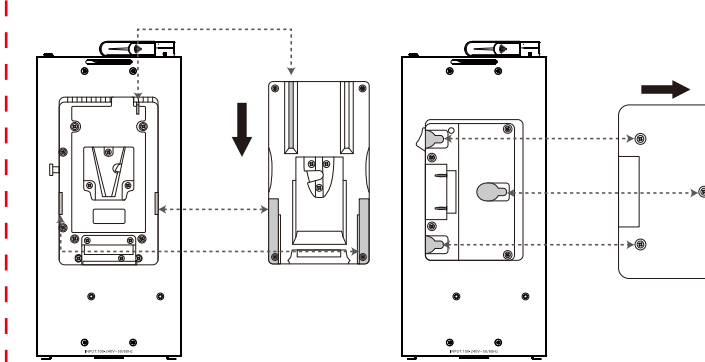
6. Dual power supply

1) Powered by AC



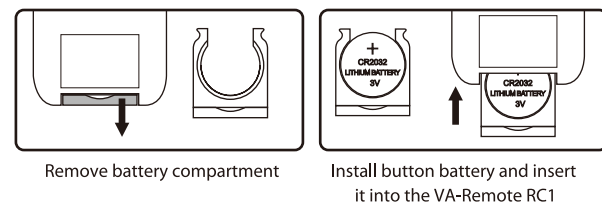
* Please pull the 5-pin XLR socket out by pushing the locking spring down on the controller box.

2) Powered by the battery



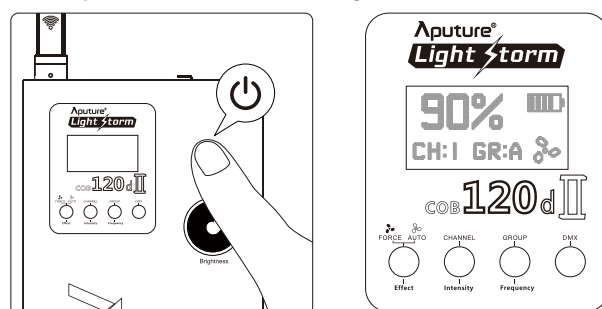
* Battery output currents: 13A, Voltage 12-16.8V;
* Please buy the battery base on the model of the Light Storm you choose;
* Please make sure to purchase the correct battery base, e.g. IDX DUO-C198.

7. Insert the button battery to power VA-Remote RC1



Operations

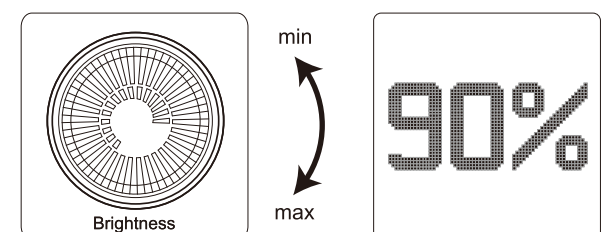
1. Press the power button to on/off the light



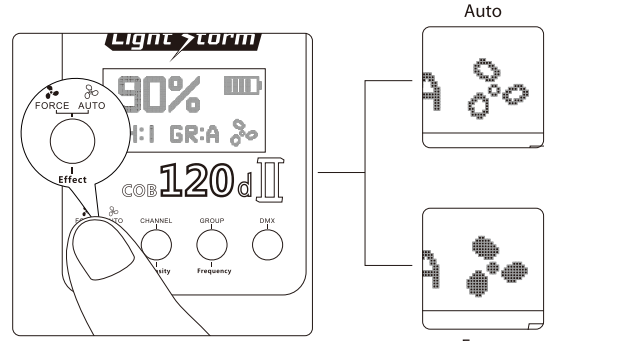
* Channel 1, Group A is by default.

2. Manual controlled by the controller box

1) Rotate the wheel to adjust the brightness from 0-100%



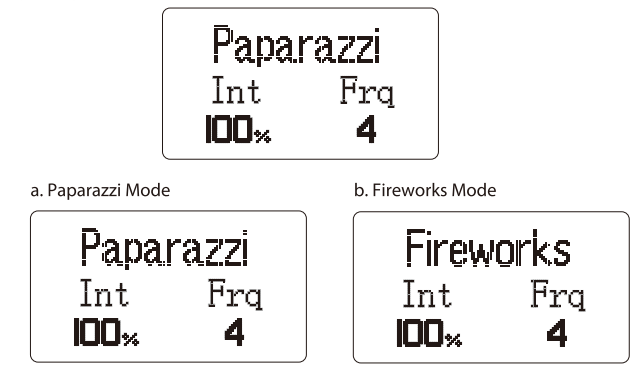
2) Short press the Auto/Force button to adjust the cooling fan between Auto mode and force mode.



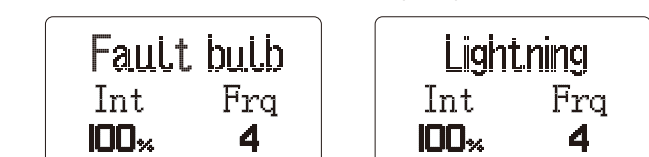
① Auto Mode: The cooling fan operates automatically according to internal temperature. Auto mode is by default.
② Force Mode: The cooling fan operates at the fastest speed. (Highly recommended when shooting in high temperature environment)

3) Lighting Effect Mode

① Press the Effect button for 2 seconds to activate Lighting Effect mode, then short press the Effect button to shift effects between Paparazzi, Fireworks, Fault bulb, Lightning, and TV.



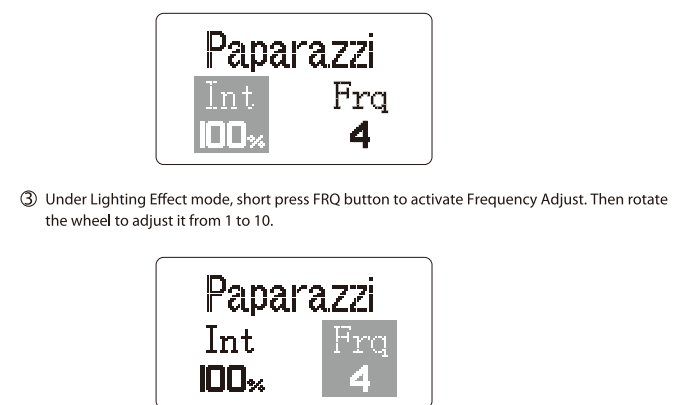
c. Fault bulb Mode d. Lightning Mode



e. TV Mode



② Under Lighting Effect mode, short press the INT button to activate Intensity Adjust. Then rotate the wheel to adjust intensity from 10% to 100% as displayed on the screen.



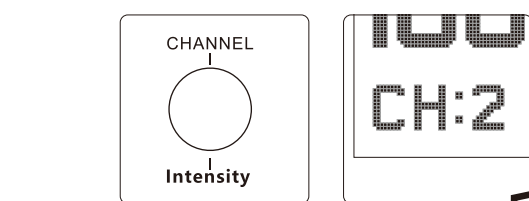
*If the power was cut off accidentally, the last setting will be restored automatically when the power is reconnected.

3. Remote Control

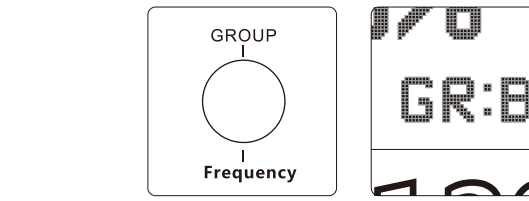
You can control the LS C120d II from any channel or group configuration.
* The Light Storm has three channels (1/2/3) and four groups (A - B - C - D).

1) Setting on controller box

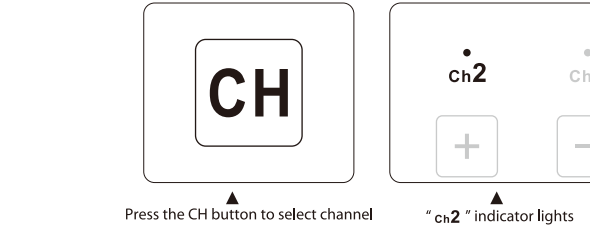
① Press CHANNEL button to select 1, 2, or 3.



② Press GROUP button to select group A, B, C, or D.



2) Setting on the remote



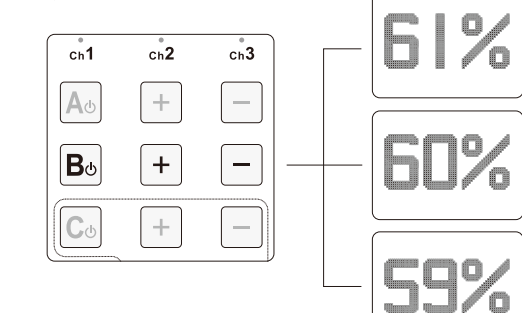
Press the CH button to select channel

* "ch.2" indicator lights

The controller setting is finished.

3) Dimming brightness and CCT

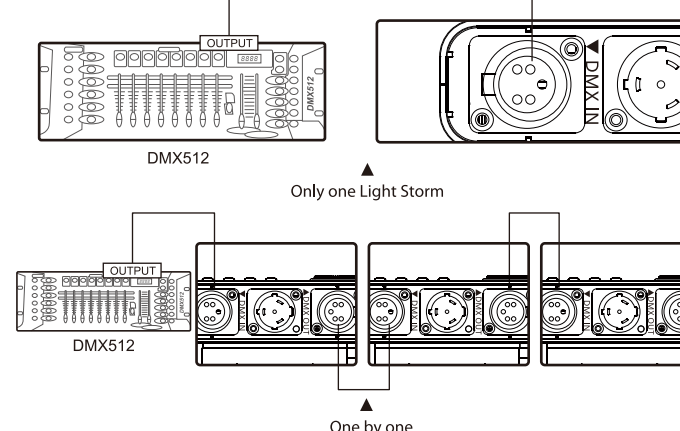
Press A/B/C/D to on/off the light, press +/- to dim the light from 0 to 100%, and press </> to dim CCT (Only for bi-color lights)



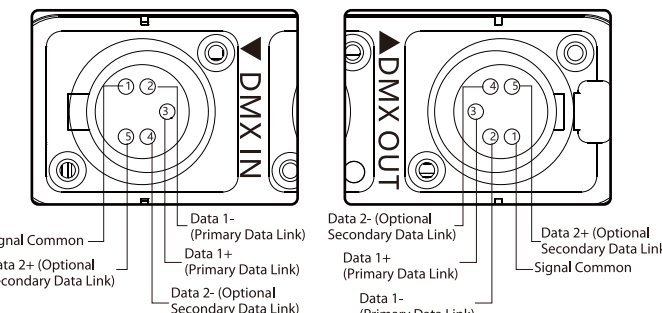
*Please note this remote is used to control on/off the light and dimming functions only. It will not work under Lighting Effect mode.

4. The DMX control

1) Connect a standard DMX console

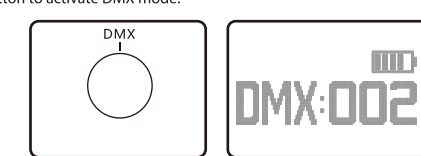


* See the interface definition of the DMX as the picture shows:

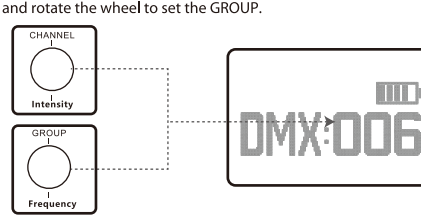


2) DMX Settings

① Press DMX button to activate DMX mode.



② When DMX mode is on, press CHANNEL button and rotate the wheel to set the channel; press GROUP button and rotate the wheel to set the GROUP.



3) DMX Control

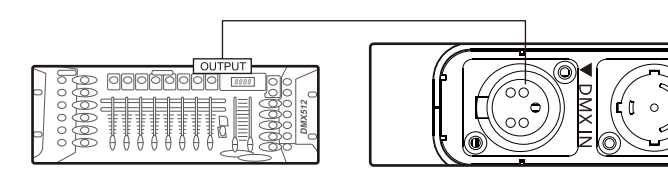
Under DMX mode, match the channel of your DMX controller with the light, then adjust accordingly.

* Channel 1 is by default under DMX mode.

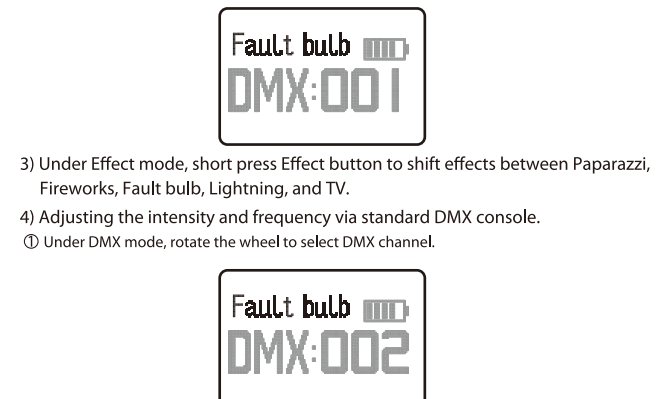
* DMX channel range is 1 to 512 on LS C120D II.

5. Controlling Effects Via DMX

1) Connect DMX controller OUTPUT to C120D II controller INPUT.



2) Long press Effect button to activate Lighting Effect mode, then short press DMX button to activate DMX control.



② One light DMX control. When the light is set at CH DMX 001, the DMX controller can dim to brightness on CH 001 and adjust frequency on CH 002. (The CH number to adjust frequency is always the subsequent one).

* Under DMX control mode, you can only control intensity and frequency.
* Multiple lights DMX control. When using two lights (A and B), we suggest to set A at CH 1 and B at CH 3, to control A via CH 1 and CH 2 on the DMX controller; to control B via CH 3 AND CH 4 on the DMX controller.

Specifications

Operation Current	<2A	Power Consumption	180W maximum
Power Supply	AC 100 ~ 240V 50/60Hz	Cooling Mode	Active Cooling
TLCI	≥97	Color Temperature	5500K
CRI	≥96	Channels	1/2/3
Radio Frequency	2.4GHz	Remote Ability	≤100m
Groups	A/B/C/D		
Sizes (L*W*H)	Light	300*193*124 mm	
	Controller box (Anton Bauer Battery)	314*119*51mm	
	Controller box (V-Mount)	314*119*62.6mm	

Brightness (average)

Distance	0.5m	1m	2m
Footcandles	2788	651	158
LUX	30000	7000	1700

*This is an averaged result, the number might be slightly different on each light.

Trademarks

BOWENS is a trademark or registered trademark of BOWENS in the P.R.C and other countries.
ANTON BAUER is a trademark or registered trademark of ANTON BAUER in the US and other countries.
IDX is a trademark or registered trademark of IDX in the JP and other countries.